



## COMPLY WITH RULES

IEC 947-3, EN 60947-3, UL508



SERIES		P012-P016-P020 PX12-PX16-PX20			
Protection class	control terminals	EN 60529 (UL50) NEMA 4X	IP65 (Type 1 - 4 - 4X) IP40 IP20 (P0) - IP10 (PX)		
Material group		EN 60947-1	II		
Pollution grade		EN 60947-1	3		
Flammability		UL94	VO (Live Electrical parts)		
Ambient temperature		°C	Operating: -40 +85		
		°C	Storage: -40 +70		
Climate Withstand		IEC 68 part 2-3	Hot damp		
		IEC 68 part 2-30	Unsettled hot damp		
Terminal screw identification			EN50013		
Connections	Terminal block caliber	EN60947-1	A3		
	Terminal screw		M3,5		
	Screwing torque	EN60947-1	0,8 Nm (7,2 lb. in.)		
		UL508	7,5 lb. in. (0,85 Nm)		
Connectable section	Flexible conductors min/max	mm <sup>2</sup>	1x0,75/4 - 2x0,75/2,5		
		AWG	10 - 18		
	Solid conductors min/max	mm <sup>2</sup>	1x0,75/4 - 2x0,75/2,5		
		AWG	10 - 18		
Contacts			Double breaking		
Opening angles			30° - 45° - 60° - 90°		
Mechanical lifetime at 120 operations for hour		mil./cl	1	1	1
Electrical lifetime at 120 operations for hour		mil./cl	1	0,75	0,75
CERTIFICATIONS		P012 PX12	P016 PX16	P020 PX20	
CE	CE mark - Europe	■	■	■	
cUL <sub>us</sub>	cUL Listed - USA and Canada	●	●	●	
IMQ	IMQ Istituto Marchio Qualità - Italy	●	●	●	
CCC	CCC Cina	●	●	●	
EAC	EAC Russia	●	●	●	

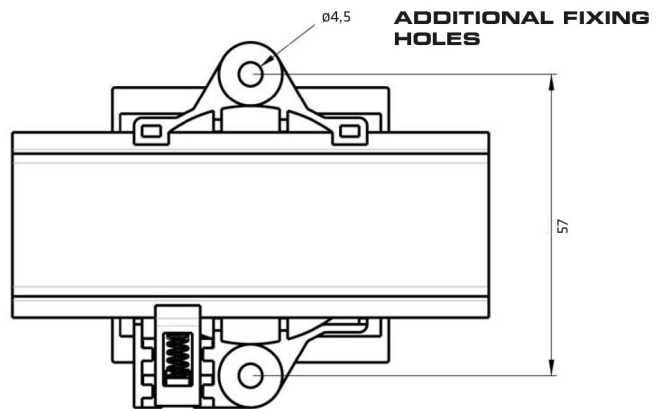
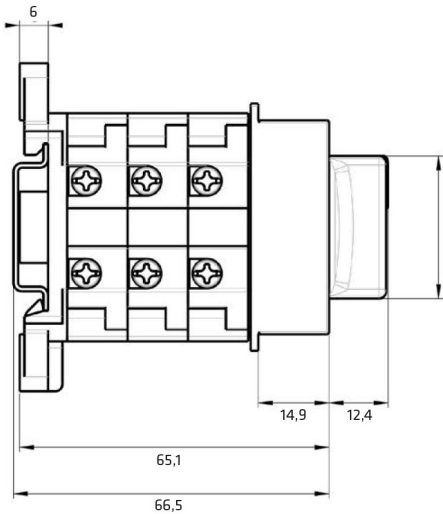
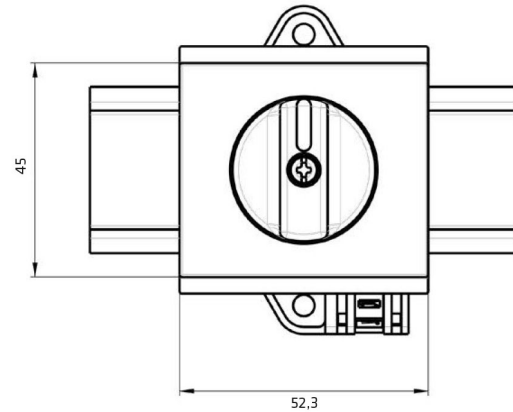
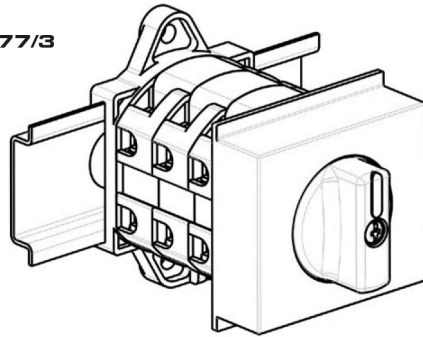
■ Comply to the requirements by passed test. ● Approved.

EN 60947-3 CHARACTERISTICS				P012 - PX12	P016 - PX16	P020 - PX20
Rated operating voltage Ue	V			690	690	690
Rated insulation voltage Ui	V			690	690	690
Rated impulse withstand voltage Uimp (sectionable)	kV			4	4	4
Rated thermal current Ith	A			16	20	25
Rated thermal current in enclosed Ithe	A			12	16	20
Frequency	Hz			50/60	50/60	50/60
RATED OPERATING CURRENT Ie: alternate current				P012 - PX12	P016 - PX16	P020 - PX20
AC-21A Switching resistive loads with light overloads	690V	A		12	16	20
AC-22A Switching mixed resistive and inductive loads at light overloads	690V	A		12	16	20
AC-23A Periodic switching of motors	single phase - 1 pole	110V	A/kW	12/1,1	14/1,5	18/2
		230V	A/kW	12/2,2	14/3	18/4
	3 phases - 3 poles	230V	A/kW	10/3	14/4	16/5
		400V	A/kW	10/5,5	14/7,5	16/9
		500V	A/kW	10/7,5	14/10	16/11
AC3 Starting of cage motors (interruption hile running)	single phase - 2 poles	110V	A/kW	10/0,75	12/1,1	16/1,5
		230V	A/kW	10/2	12/2,2	16/3,5
	3 phases - 3 poles	230V	A/kW	8/2,2	10/3	12/4
		400V	A/kW	8/4	10/5	12/6
		500V	A/kW	8/5,5	10/7,5	12/8
Nominal interruption power AC-23A (cosφ 0,45)	230V	A	80	104	128	
	400V	A	80	104	128	
	500V	A	80	112	128	
	690V	A	80	112	128	
Power dissipation for each pole	W			0,3*	0,35*	0,4*
RATED OPERATING CURRENT Ie: direct current				P012 - PX12	P016 - PX16	P020 - PX20
DC-21A Switching resistive loads with light overloads	50V (1 phase)	A		10	12	16
DC-22A Switching mixed resistive and inductive loads at light overloads	30V (1 phase)	A		8	10	12
SHORT CIRCUIT CHARACTERISTICS				P012 - PX12	P016 - PX16	P020 - PX20
Rated short-time short circuit withstand current Icw (1 s)	A			300	300	300
Rated short circuit making capacity Icm	A			1200	1200	1200
Conditional rated short circuit withstand current	kA			5	5	5
Fuse rating gG	690V	A		20	20	20
UL 508 CHARACTERISTICS				P012 - PX12	P016 - PX16	P020 - PX20
General Use	600V AC	A		12	16	20
Standard motor load	single phase - 2 poles	120V AC	HP (FLA)	0,5 (9,8)	1 (16)	1,5 (20)
		240V AC	HP (FLA)	1 (8)	1,5 (10)	2 (12)
	3 phases - 3 poles	200V AC	HP (FLA)	1,5 (6,9)	3 (11,04)	5 (17,5)
		240V AC	HP (FLA)	3 (9,6)	5 (15,2)	5 (15,2)
		480V AC	HP (FLA)	5 (7,6)	7,5 (11)	10 (14)
		600V AC	HP (FLA)	5 (6,1)	7,5 (9)	10 (11)

▼ Values not reported on the IMQ files. ■ Fuses type gG 40a 500V ▲ Fuses type gG/Gm

| RANGE AC21A | 12A - 16A - 20A |

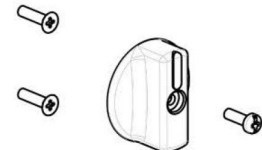
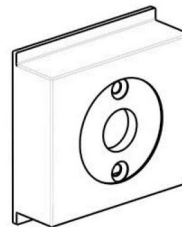
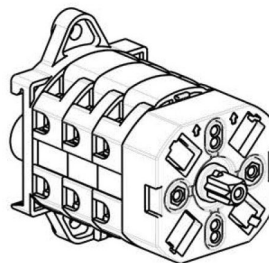
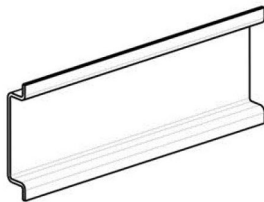
DIN EN46277/3



**STEADY Length  
3 WAFERS**

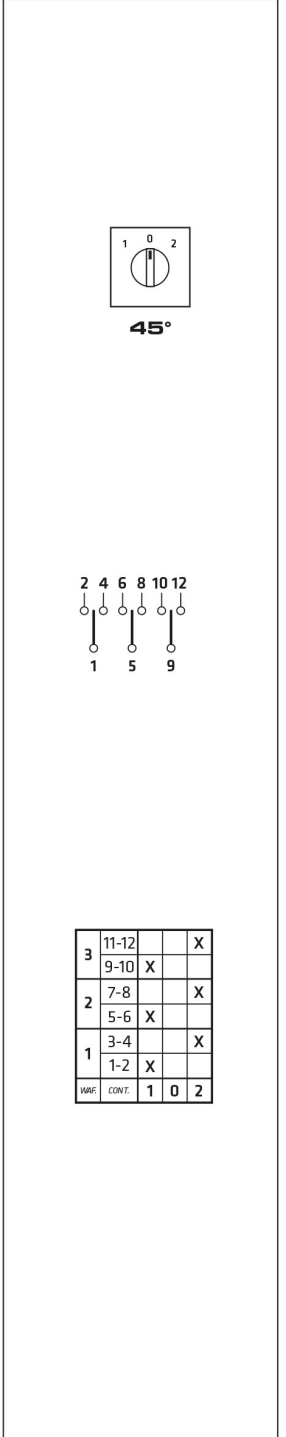
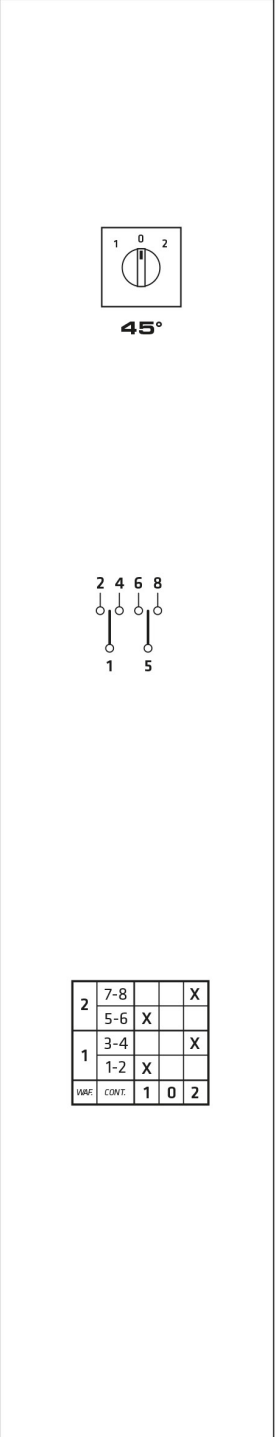
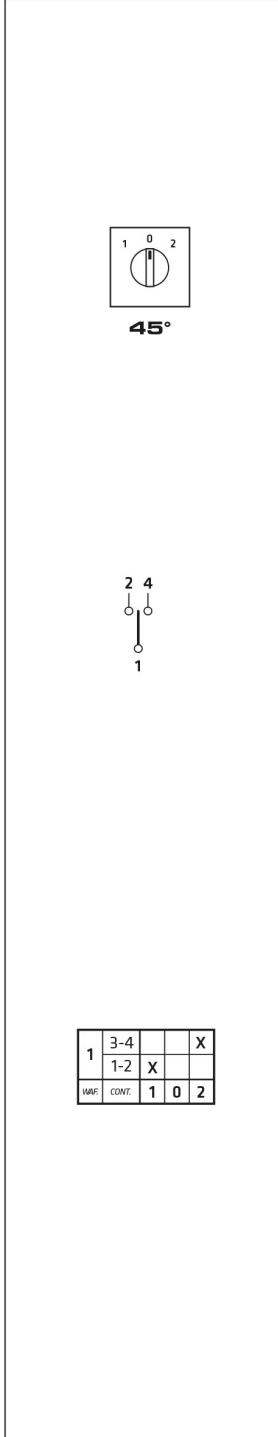


**DIN RAIL SNAP-ON MOUNTING  
EN46277/3**





12-16-20A



SERIES	AC21A	1 POLE	2 POLES	3 POLES
P012	12A	P0120008D	P0120009D	P0120010D
P016	16A	P0160008D	P0160009D	P0160010D
P020	20A	P0200008D	P0200009D	P0200010D

ACTUATOR

P012 - P016 - P020



45°

027/0008